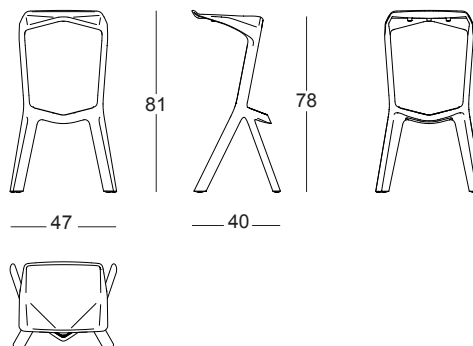




Mod. 8200-00



Sgabello in polipropilene nei colori nero, bianco, arancio puro, rosso traffico, rosso vino, azzurro, giallo verde. Impilabile. Uso interno ed esterno, riciclabile.

Stool made of polypropylene available in black, white, pure orange, traffic red, wine red, light blue, yellow green. Stackable. Indoor and outdoor use, recyclable.

Barhocker aus Polypropylen in den Farben schwarz, weiß, reinorange, verkehrsrot, weinrot, hellblau, gelbgrün. Stapelbar. Innen- und Außenbereich, recyclebar.

#### FINITURE / FINISHING / AUSFÜHRUNGEN

	bianco white weiss		giallo verde yellow green gelbgrün
	arancio puro reinorange pure oranget		rosso traffico traffic red verkehrsrot
	rosso vino wine red weinrot		nero black schwarz
	azzurro light blue hellblau		

#### RICONOSCIMENTI / AWARDS / AUSZEICHNUNGEN:

- 100% Design Blueprint Best Product Award, 2005
- Interior Innovation Award imm Cologne, 2006 - Best of the Best in Category Best Item
- Red Dot Product Design Award Winner, 2006
- IF Product Design Award, 2006 – Gold selection
- Design Award of the Federal Republic of Germany, 2007- Silver Award

#### COLLEZIONI / COLLECTIONS / KOLLEKTIONEN:

- Die Neue Sammlung, The Design Museum - Pinakothek der Moderne, Munich, Germany
- Museum für Gestaltung, Zürich, Switzerland
- MoMA – The Museum of Modern Art, New York, USA
- Art Institute of Chicago, USA
- Triennale Design Museum, Milano, Italy
- Vitra Design Museum, Weil a. Rhein, Germany

#### PUBBLICAZIONI / PUBLICATIONS / PUBLIKATIONEN:

MIURA stool, photographed by Florian Böhm, NYC 2006, ISBN 978-88-902728-0-6