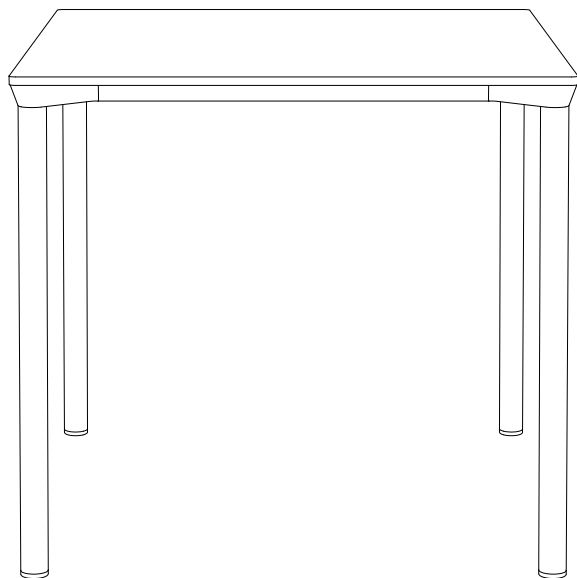


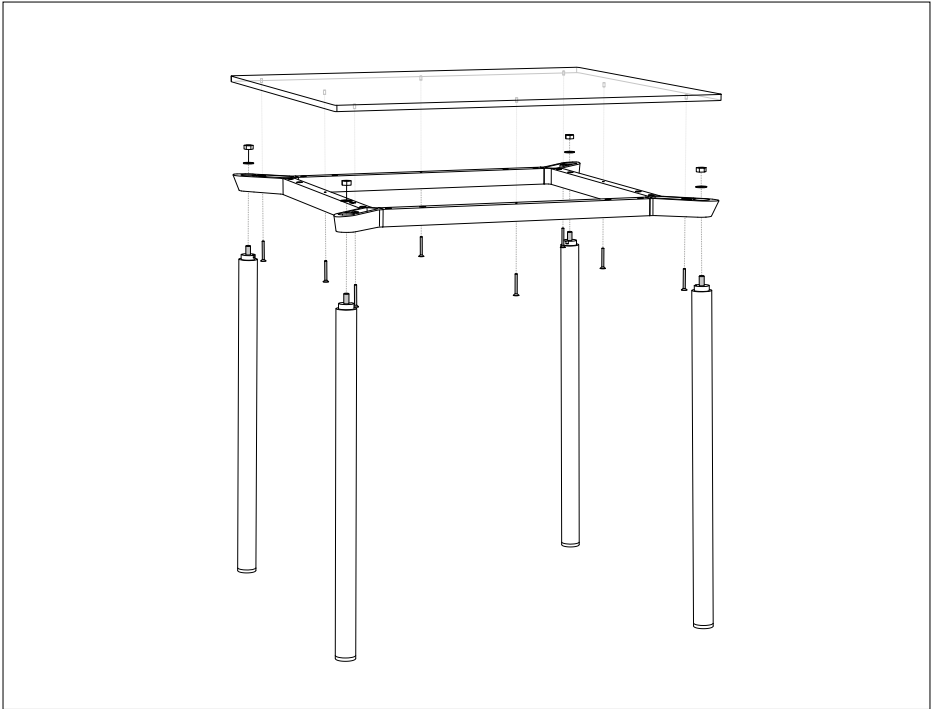
# PLANK<sup>®</sup>

PRODUCT MANUAL  
BEDIENUNGSANLEITUNG  
MANUALE DEL PRODOTTO



## MONZA TABLE

MOD. 9203 | 9208 | 9224

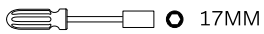


## ASSEMBLY | MONTAGE | MONTAGGIO

REQUIRED TOOLS  
BENÖTIGTE WERKZEUGE  
ATTREZZI NECESSARI

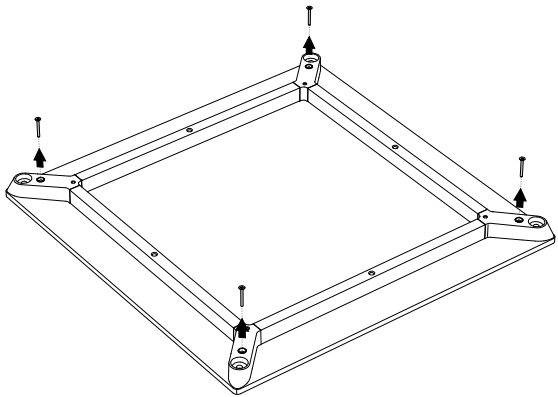


3MM

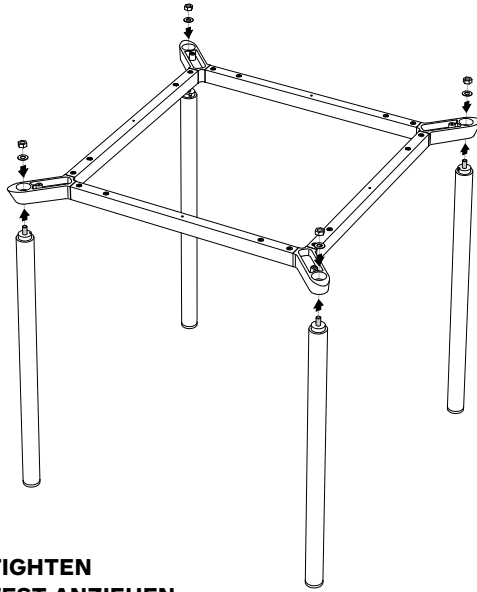


17MM

01

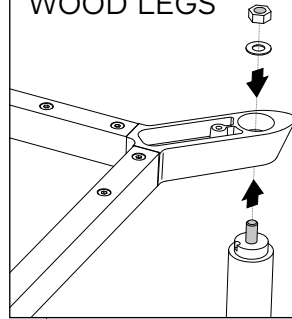


02

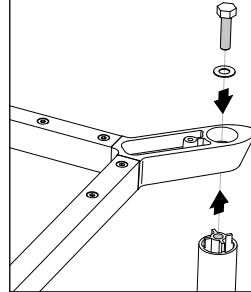


**TIGHTEN  
FEST ANZIEHEN  
STRINGERE FORTE**

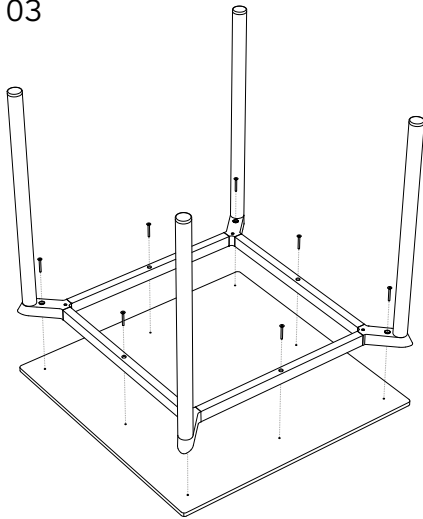
WOOD LEGS



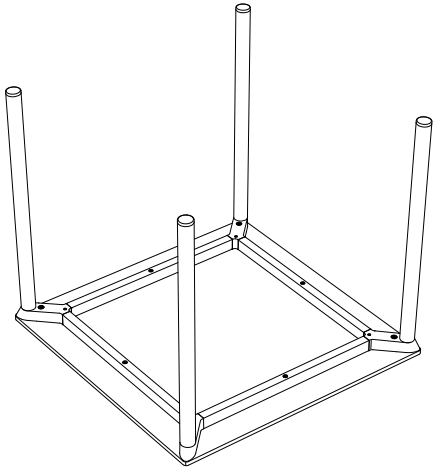
ALUMINUM LEGS



03



04



GENERAL INSTRUCTIONS  
ALLGEMEINE GEBRAUCHSHINWEISE  
ISTRUZIONI GENERALI



SCAN ME \_

Plank Srl  
Via Nazionale 35  
I-3940 Ora (BZ)  
Tel +39 0471 803 500  
info@plank.it  
www.plank.it

Quality system according to ISO 9001  
© 2025 Plank Srl - All Products International Deposit of Industrial Design