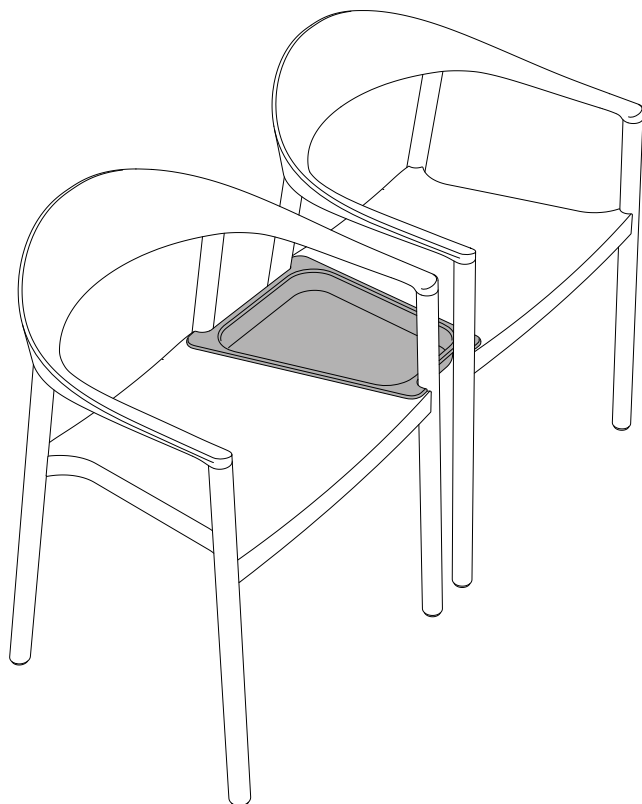


# PLANK<sup>®</sup>

PRODUCT MANUAL  
BEDIENUNGSANLEITUNG  
MANUALE DEL PRODOTTO

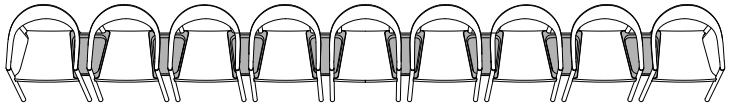


## MONZA LINKING DEVICE

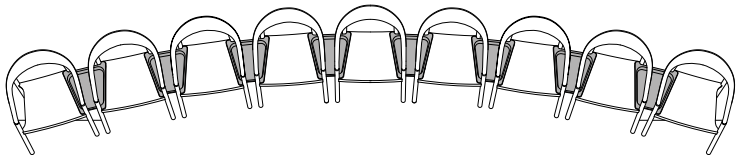
*FOR MOD. 1209-40*



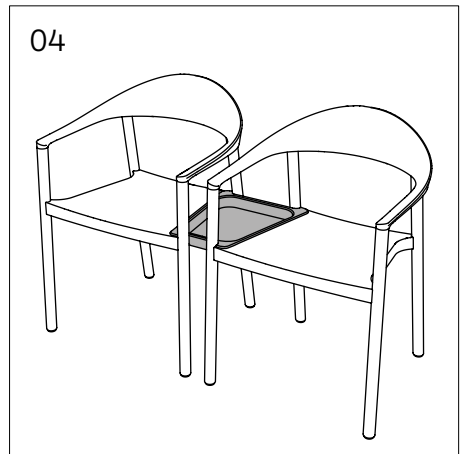
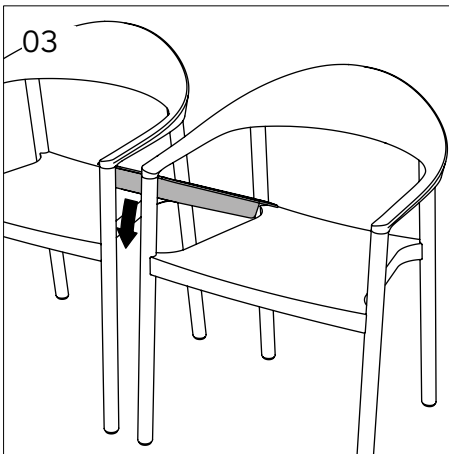
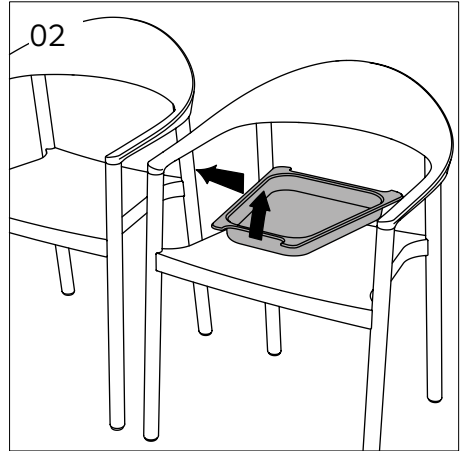
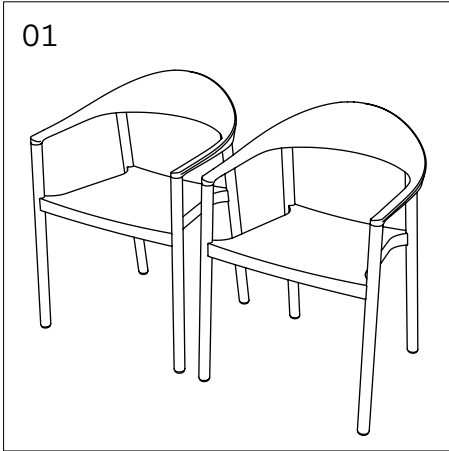
LINKING DEVICE FOR LINEAR COMPOSITION



LINKING DEVICE FOR CURVED COMPOSITION



PROCESSING | AUSFÜHRUNG | LAVORAZIONE



GENERAL INSTRUCTIONS  
ALLGEMEINE GEBRAUCHSHINWEISE  
ISTRUZIONI GENERALI



SCAN ME \_

Plank Srl  
Via Nazionale 35  
I-3940 Ora (BZ)  
Tel +39 0471 803 500  
info@plank.it  
www.plank.it

Quality system according to ISO 9001  
© 2025 Plank Srl - All Products International Deposit of Industrial Design