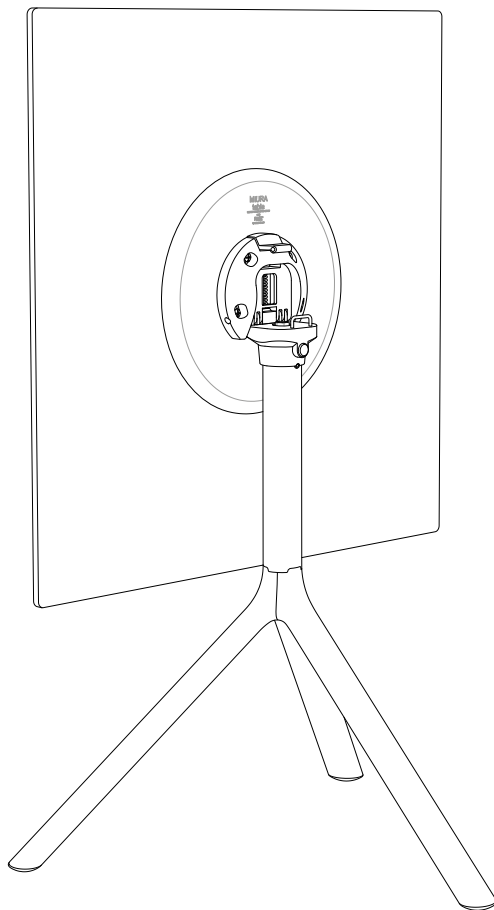


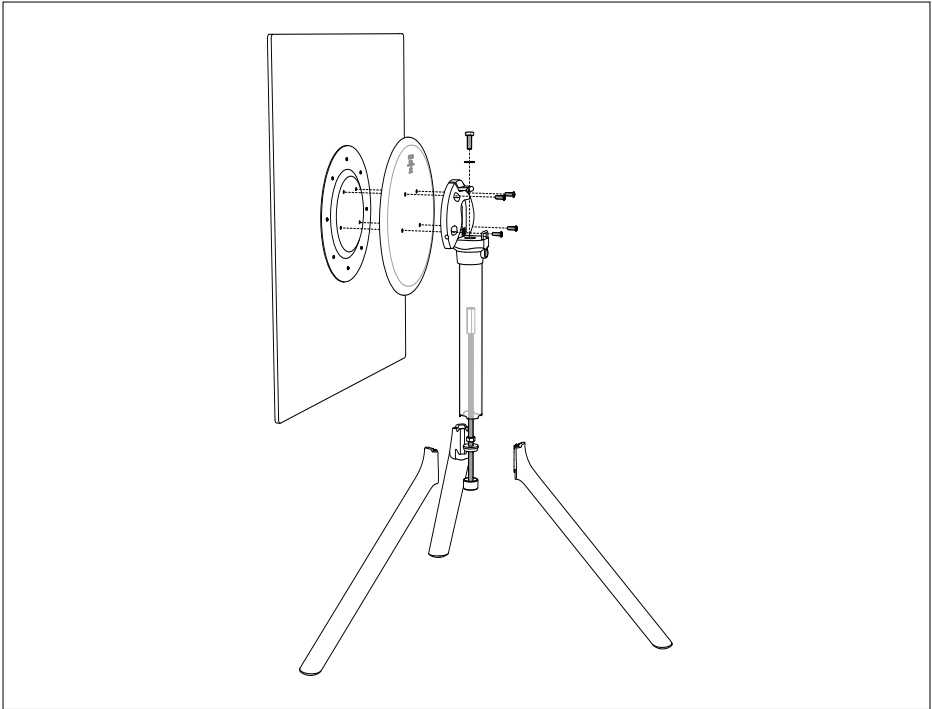
# PLANK®

PRODUCT MANUAL  
BEDIENUNGSANLEITUNG  
MANUALE DEL PRODOTTO



**MIURA TABLE**  
FOLDABLE | KLAPPBAR | PIEGHEVOLE

MOD. 9953 | 9590 | 9580 | 9555 | 9556



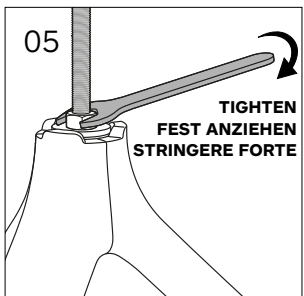
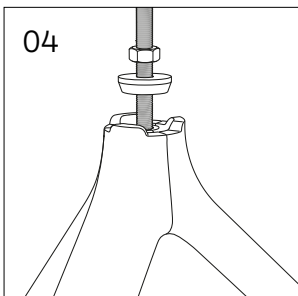
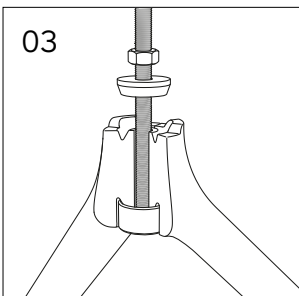
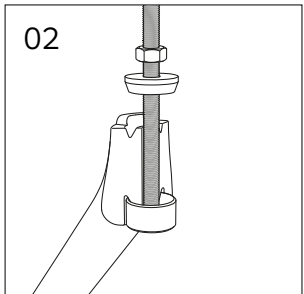
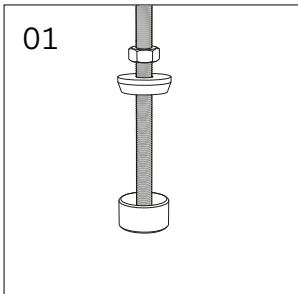
## ASSEMBLY | MONTAGE | MONTAGGIO

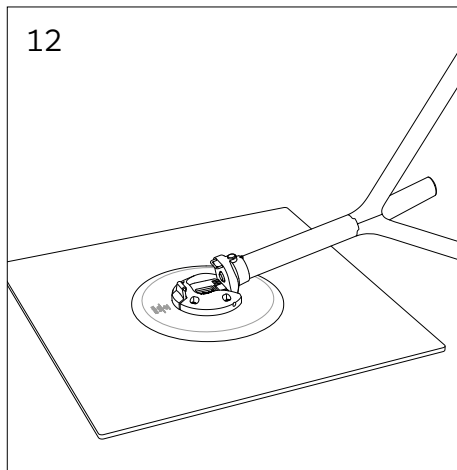
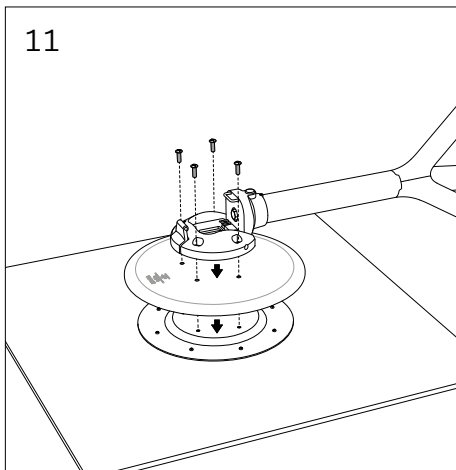
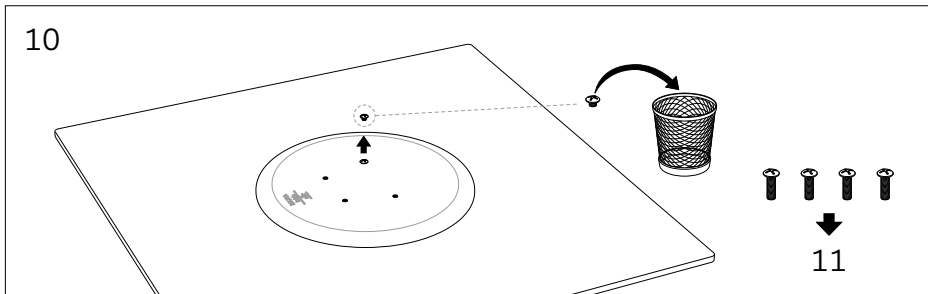
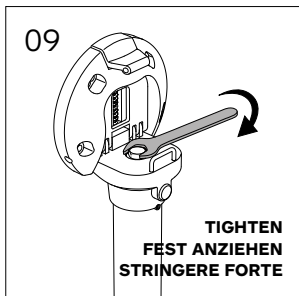
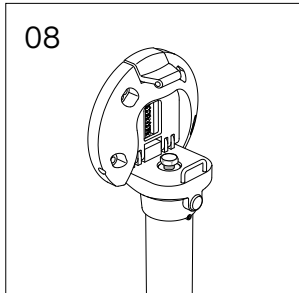
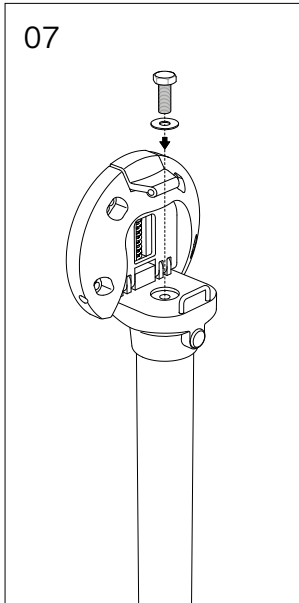
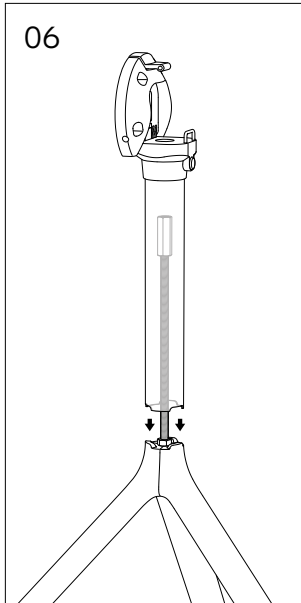
REQUIRED TOOLS  
BENÖTIGTE WERKZEUGE  
ATTREZZI NECESSARI

 17MM

 4MM

 +





GENERAL INSTRUCTIONS  
ALLGEMEINE GEBRAUCHSHINWEISE  
ISTRUZIONI GENERALI



SCAN ME \_

Plank Srl  
Via Nazionale 35  
I-3940 Ora (BZ)  
Tel +39 0471 803 500  
info@plank.it  
www.plank.it

Quality system according to ISO 9001

© 2025 Plank Srl - All Products International Deposit of Industrial Design