

PLANK®

PRODUCT MANUAL
BEDIENUNGSANLEITUNG
MANUALE DEL PRODOTTO



MIURA TABLE

FIXXED | NICHT KLAPPBAR | NON PIEGHEVOLE

MOD. 9953 | 9590 | 9580 | 9555 | 9556

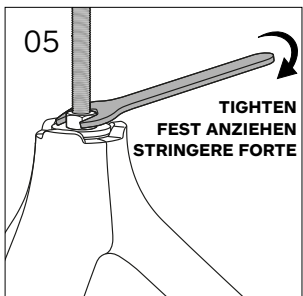
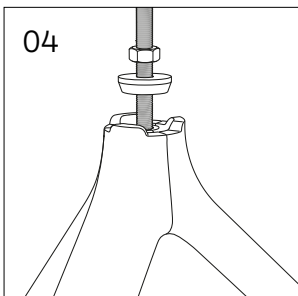
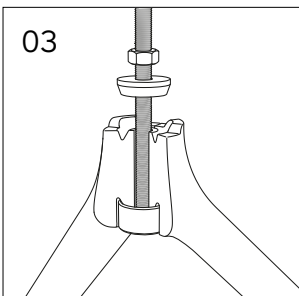
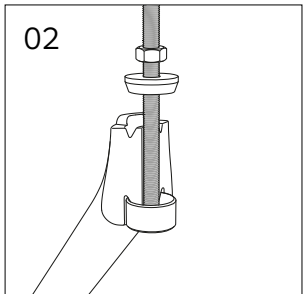
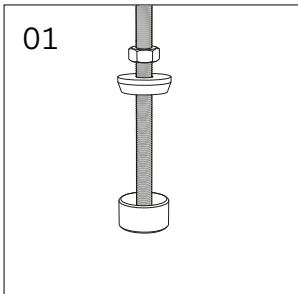


ASSEMBLY | MONTAGE | MONTAGGIO

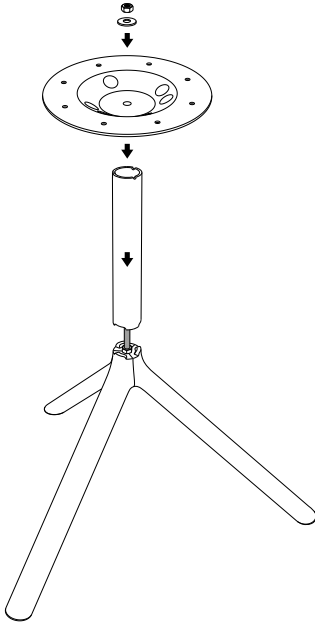
REQUIRED TOOLS
BENÖTIGTE WERKZEUGE
ATTREZZI NECESSARI



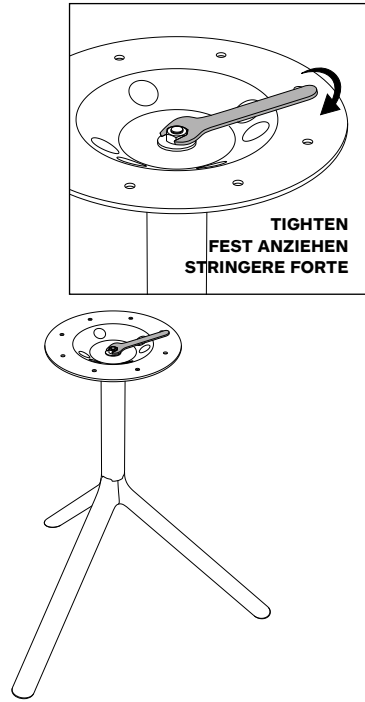
17MM
4MM



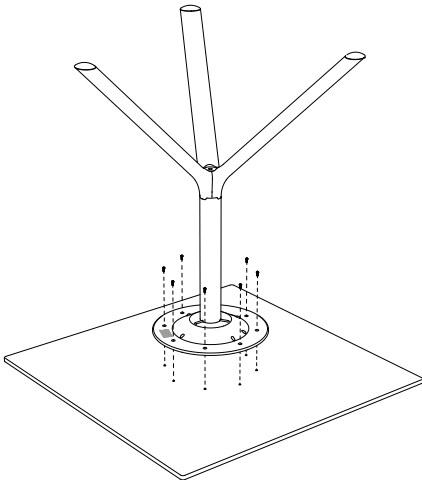
06



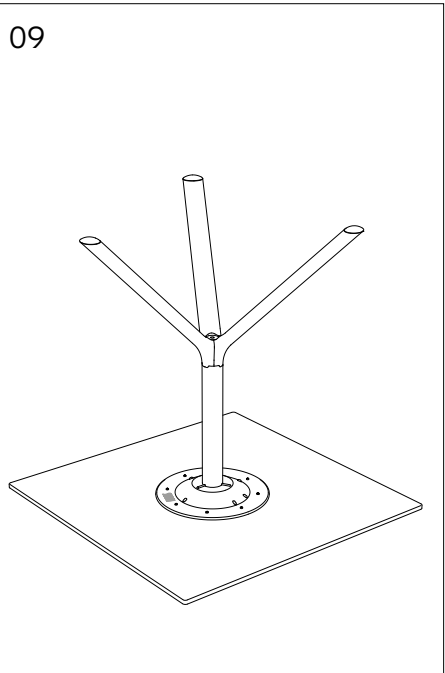
07



08



09



GENERAL INSTRUCTIONS
ALLGEMEINE GEBRAUCHSHINWEISE
ISTRUZIONI GENERALI



SCAN ME _

Plank Srl
Via Nazionale 35
I-3940 Ora (BZ)
Tel +39 0471 803 500
info@plank.it
www.plank.it

Quality system according to ISO 9001
© 2025 Plank Srl - All Products International Deposit of Industrial Design