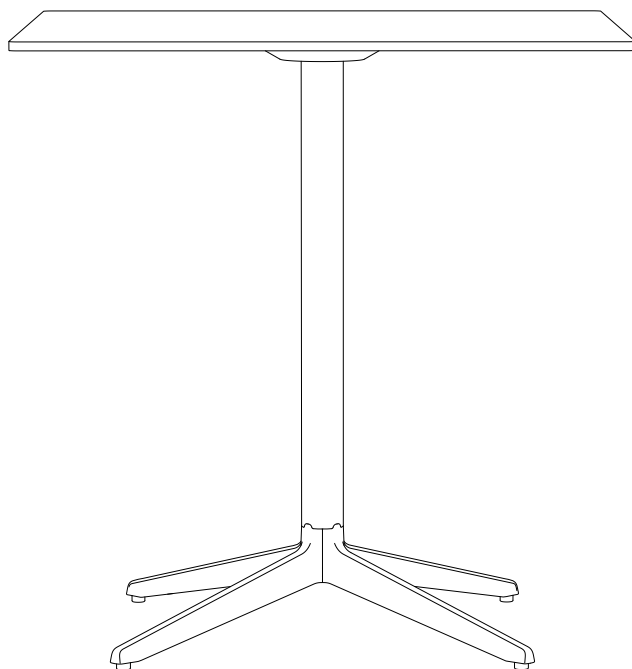


PLANK®

PRODUCT MANUAL
BEDIENUNGSANLEITUNG
MANUALE DEL PRODOTTO



MISTER X TABLE
FIXED | NICHT KLAPPBAR | NON PIEGHEVOLE
MOD. 9506 | 9507 | 9510 | 9511

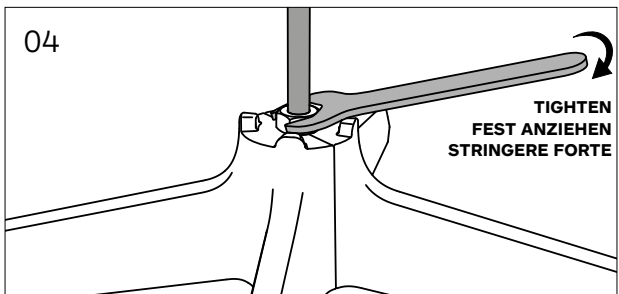
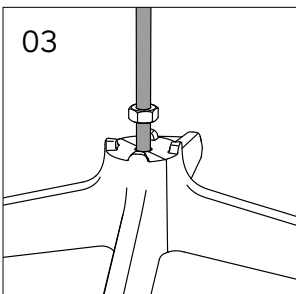
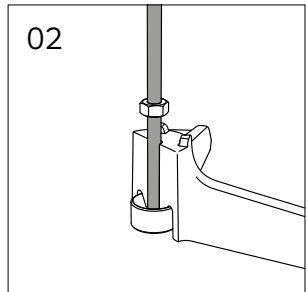
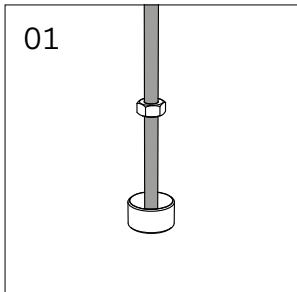


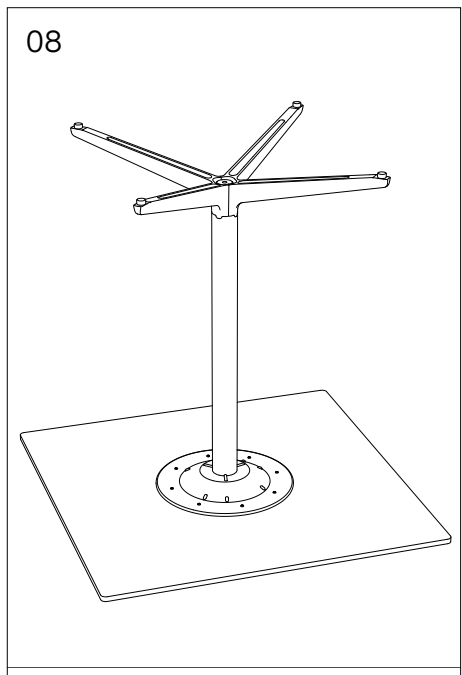
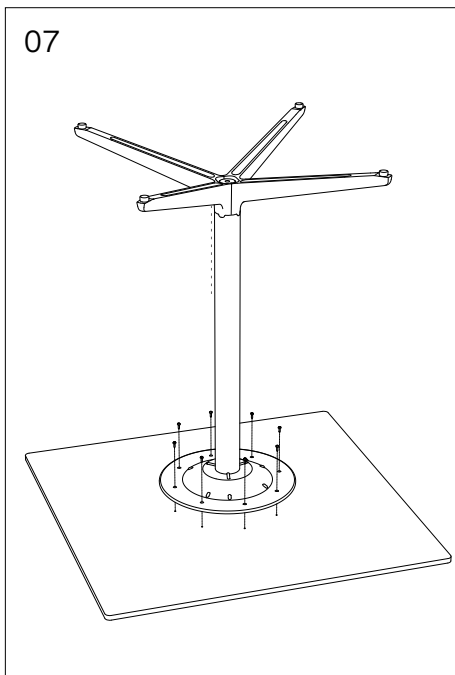
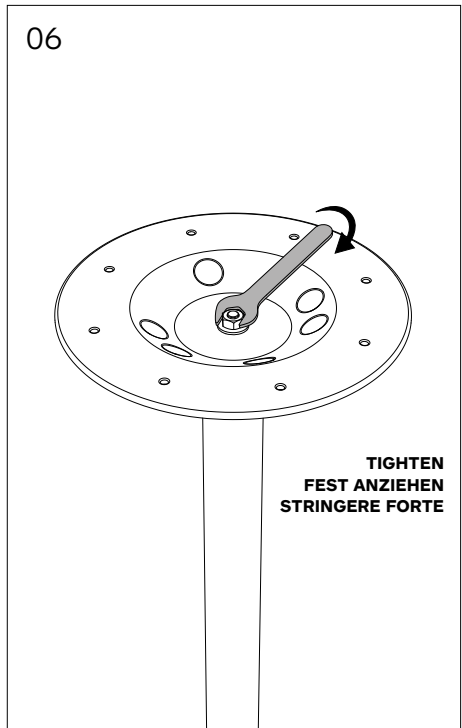
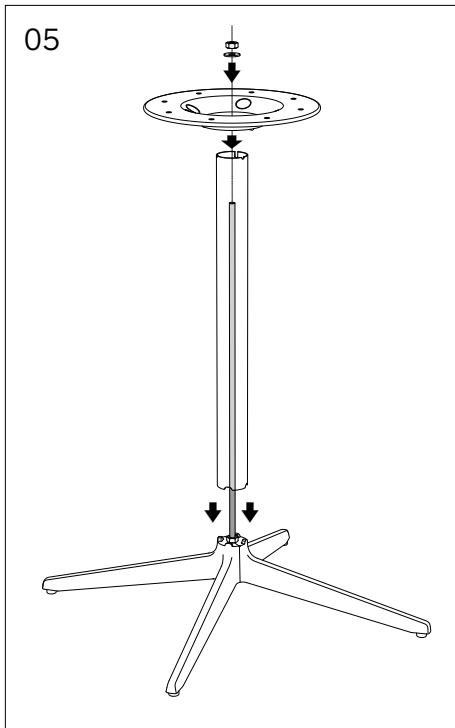
ASSEMBLY | MONTAGE | MONTAGGIO

REQUIRED TOOLS
BENÖTIGTE WERKZEUGE
ATTREZZI NECESSARI



17MM
4MM





GENERAL INSTRUCTIONS
ALLGEMEINE GEBRAUCHSHINWEISE
ISTRUZIONI GENERALI



SCAN ME _

Plank Srl
Via Nazionale 35
I-3940 Ora (BZ)
Tel +39 0471 803 500
info@plank.it
www.plank.it

Quality system according to ISO 9001
© 2025 Plank Srl - All Products International Deposit of Industrial Design