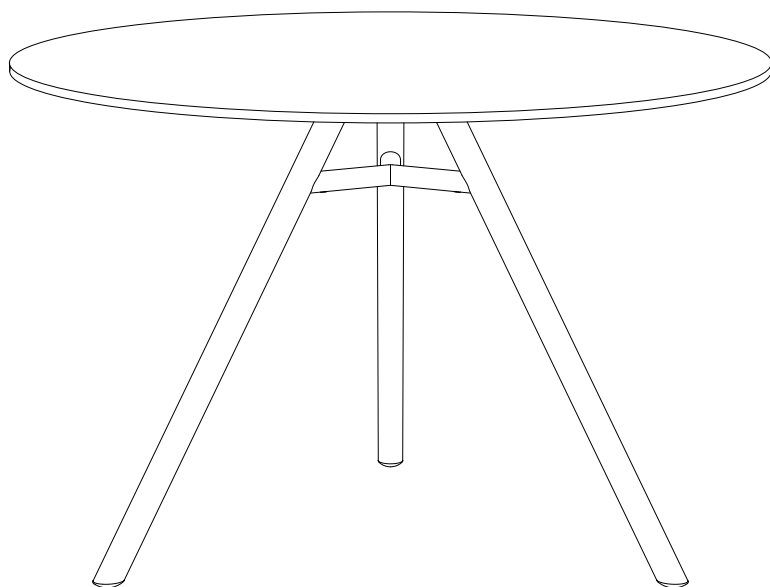


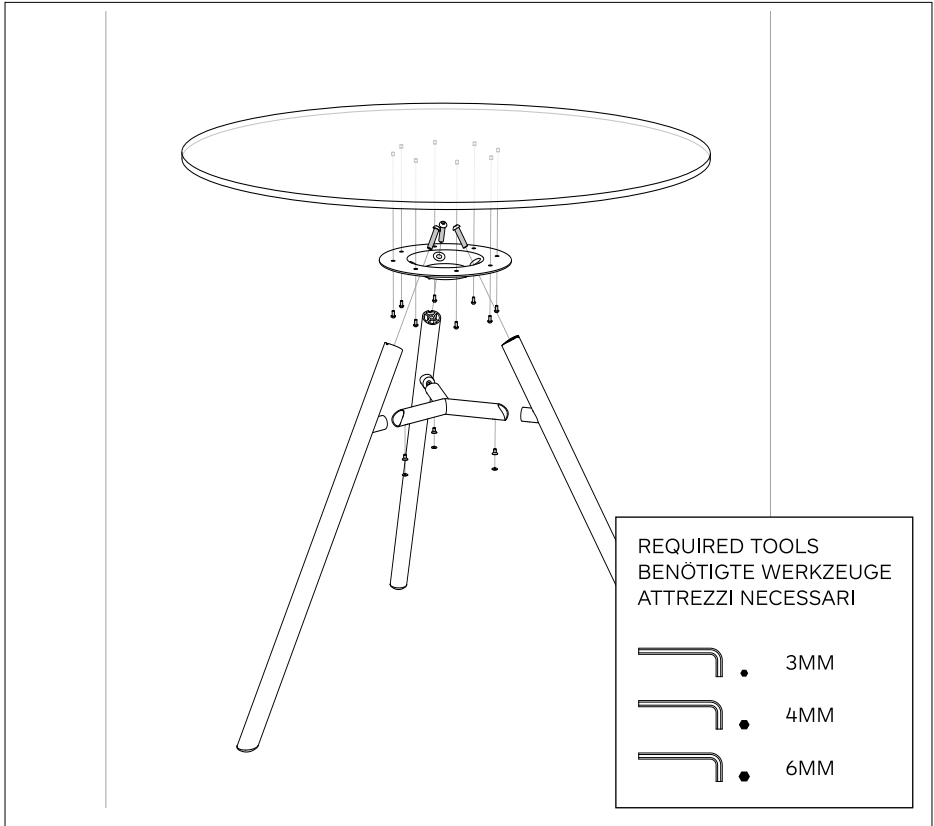
PLANK®

PRODUCT MANUAL
BEDIENUNGSANLEITUNG
MANUALE DEL PRODOTTO

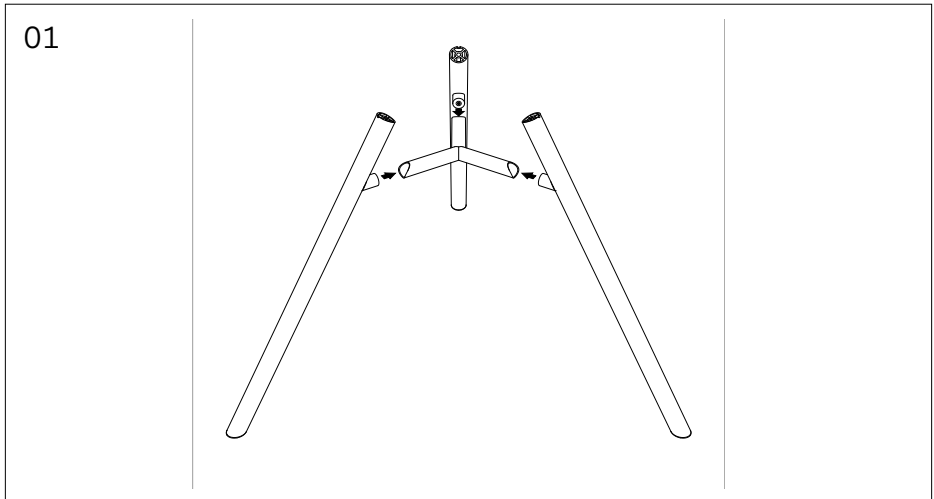


MART TABLE
ROUND | RUND | ROTONDO

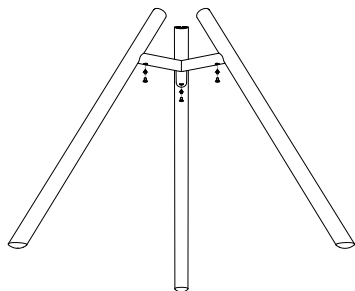
MOD. 9834 | 9835



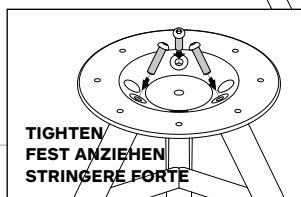
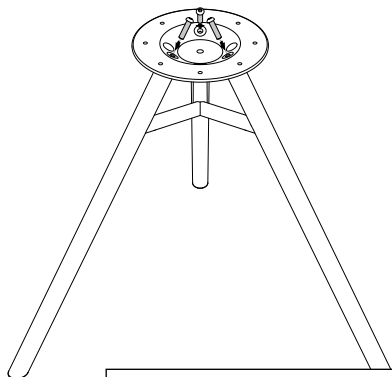
ASSEMBLY | MONTAGE | MONTAGGIO



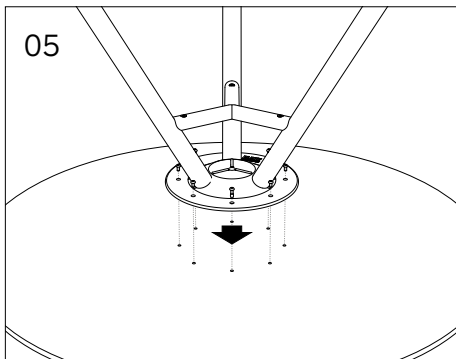
02



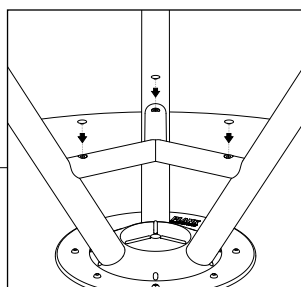
03



05

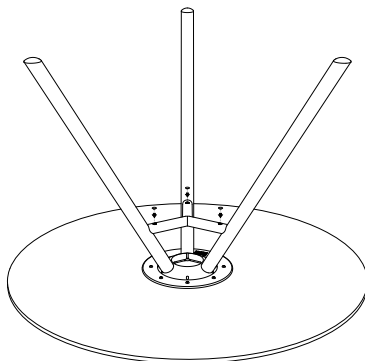
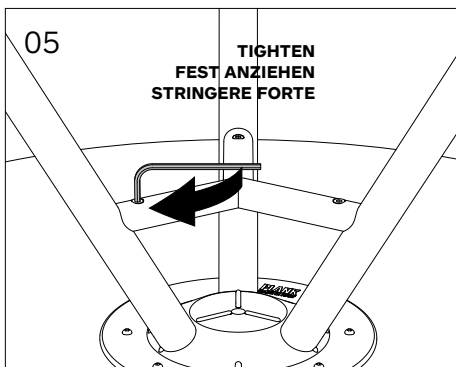


06



05

TIGHTEN
FEST ANZIEHEN
STRINGERE FORTE



GENERAL INSTRUCTIONS
ALLGEMEINE GEBRAUCHSHINWEISE
ISTRUZIONI GENERALI



SCAN ME _

Plank Srl
Via Nazionale 35
I-3940 Ora (BZ)
Tel +39 0471 803 500
info@plank.it
www.plank.it

Quality system according to ISO 9001
© 2025 Plank Srl - All Products International Deposit of Industrial Design