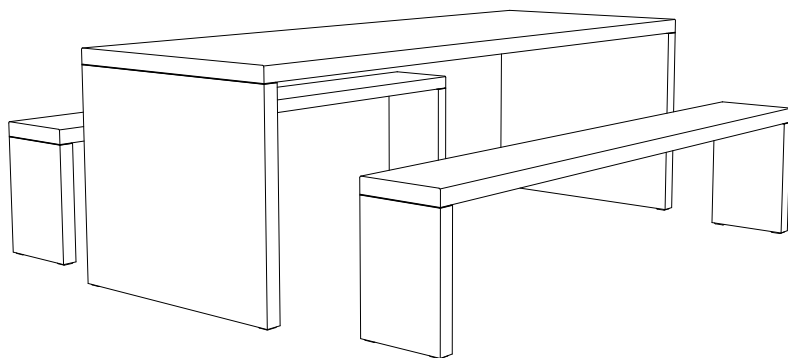


# PLANK<sup>®</sup>

PRODUCT MANUAL  
BEDIENUNGSANLEITUNG  
MANUALE DEL PRODOTTO

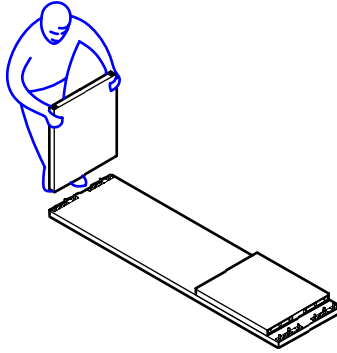


## BENCH TABLE

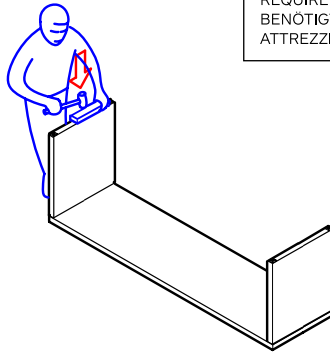
MOD. 0628 | 0660 | 0661 | 0662 | 0682

# ASSEMBLY | MONTAGE | MONTAGGIO

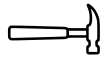
01



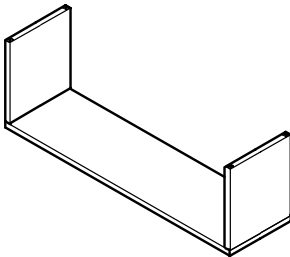
02



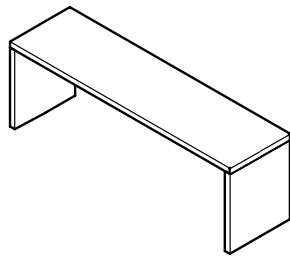
REQUIRED TOOLS  
BENÖTIGTE WERKZEUGE  
ATTREZZI NECESSARI



03

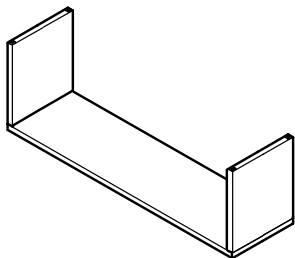


04

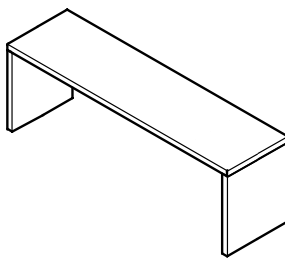


DISASSEMBLY | DEMONTAGE | SMONTAGGIO

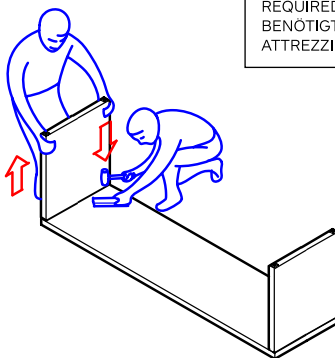
01



02



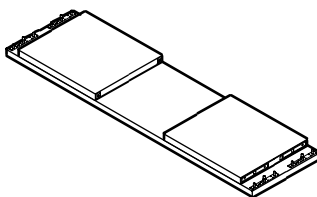
03



REQUIRED TOOLS  
BENÖTIGTE WERKZEUGE  
ATTREZZI NECESSARI



04



GENERAL INSTRUCTIONS  
ALLGEMEINE GEBRAUCHSHINWEISE  
ISTRUZIONI GENERALI



SCAN ME \_

Plank Srl  
Via Nazionale 35  
I-3940 Ora (BZ)  
Tel +39 0471 803 500  
info@plank.it  
www.plank.it

Quality system according to ISO 9001  
© 2025 Plank Srl - All Products International Deposit of Industrial Design