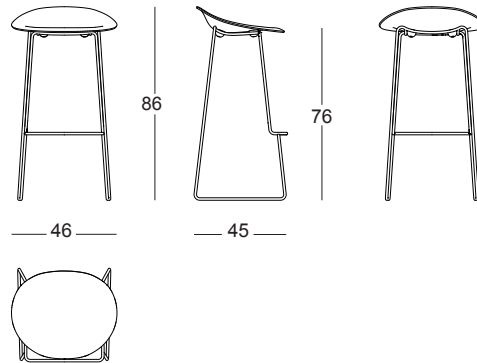
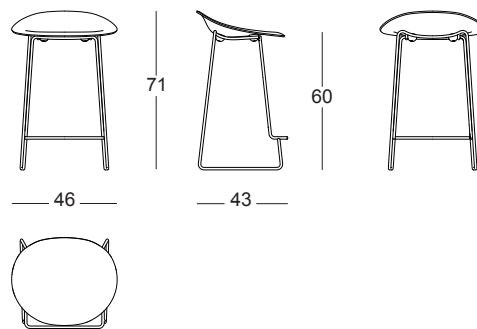




Mod. 8350-00



Mod. 8350-60



Sgabello, telaio in metallo cromato, scocca in legno multistrato curvato tridimensionale, impiallacciato con blackwood o moccawood.

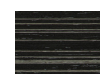
Barstool, chrome plated metal structure, seat shell made in three dimensional plywood, veneered with blackwood or moccawood.

Barhocker, Metallgestell verchromt, Sitzschale in 3D Formholz furniert mit Blackwood oder Moccawood.

FINITURE LEGNO / WOODEN FINISHING / HOLZ AUSFÜHRUNGEN



moccawood



blackwood

TELAIO / FRAME / GESTELL



cromato
chromed
verchromt